

# Customer Information Sheet

DRAWING No.: M300-324XX96M2

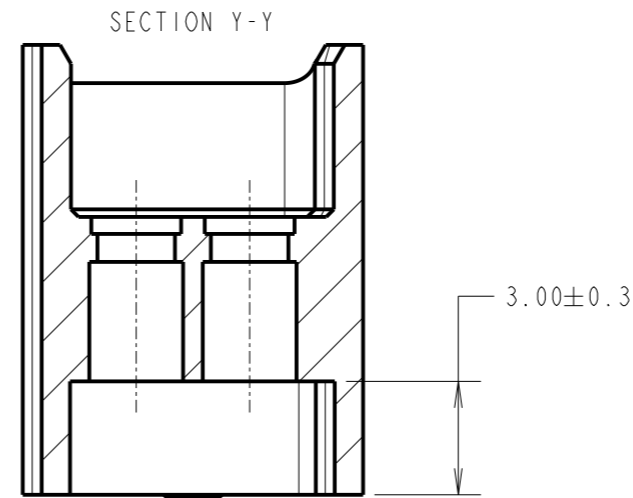
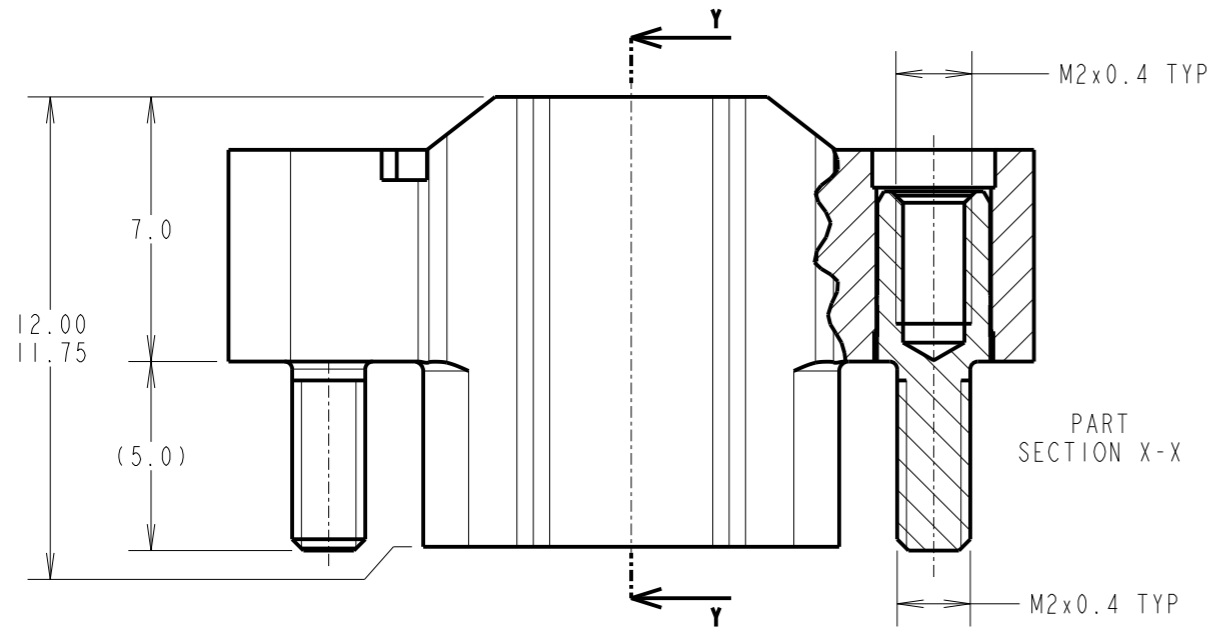
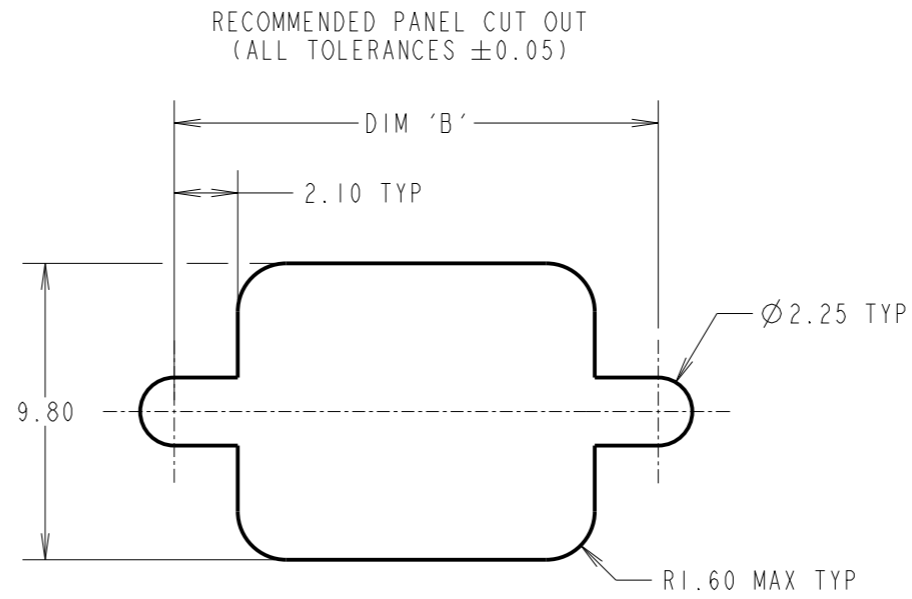
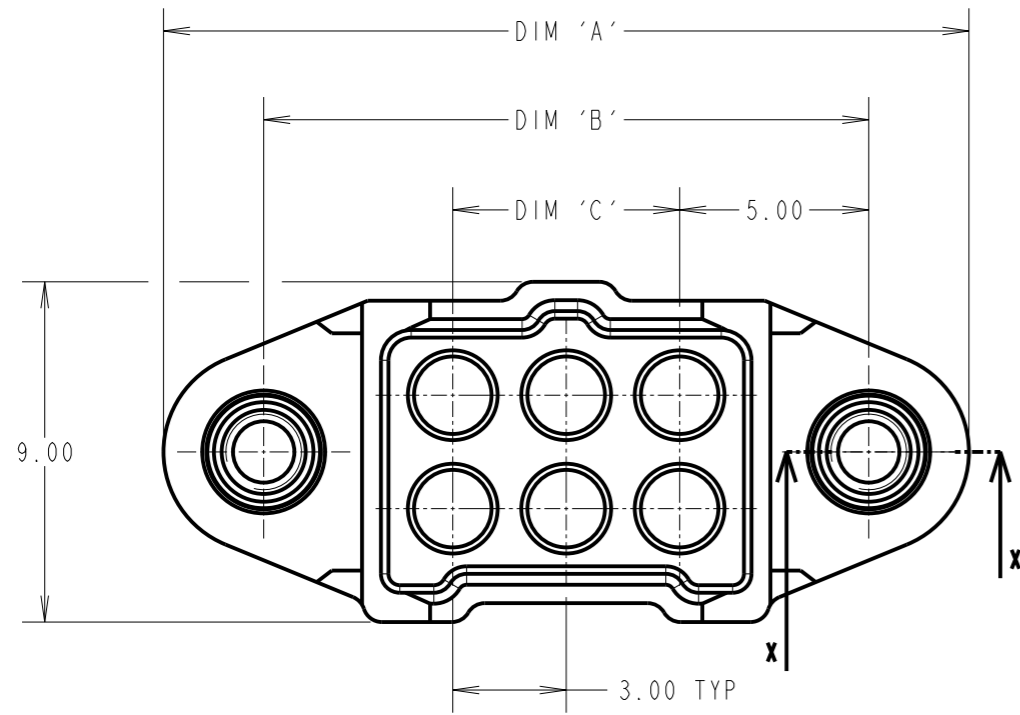
IF IN DOUBT - ASK

©

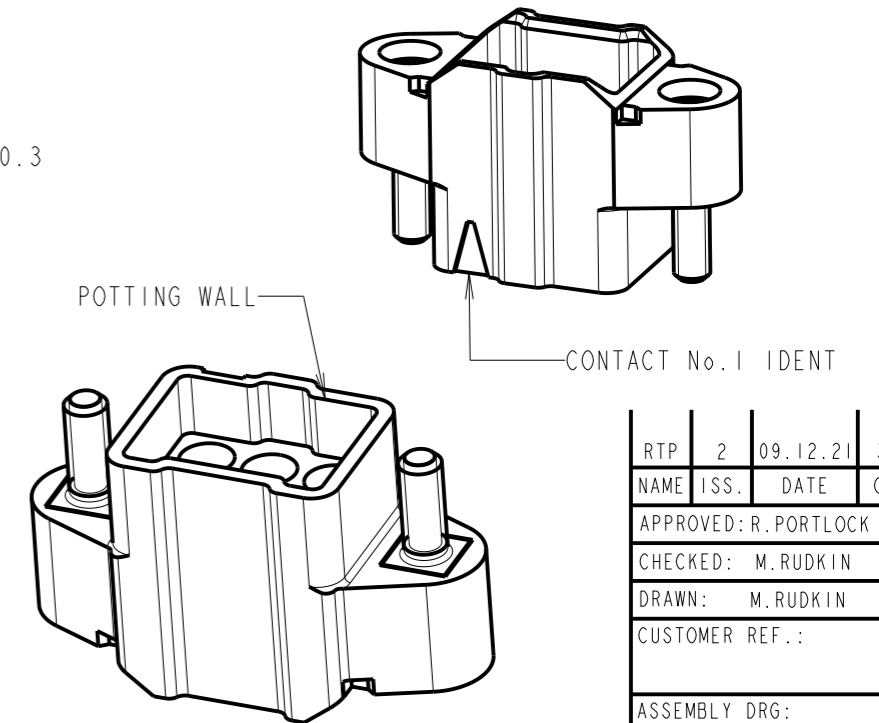
NOT TO SCALE

THIRD ANGLE PROJECTION

ALL DIMENSIONS IN mm



PART No.	DIM 'A'	DIM 'B'	DIM 'C'
M300-3240696M2	21.3	16.0	6.00
M300-3241096M2	27.3	22.0	12.00



ORDER CODE:  
**M300-324XX96M2**  
TOTAL No. OF CONTACTS  
06, 10

RTP	2	09.12.21	31253
NAME	ISS.	DATE	CN/CO
APPROVED: R. PORTLOCK			
CHECKED: M. RUDKIN			
DRAWN: M. RUDKIN			
CUSTOMER REF.:			
ASSEMBLY DRG:			

- NOTES:
- FOR USE WITH M300-1010045 & M300-1020045 CONTACTS (NOT INCLUDED).
  - SEE COMPONENT SPECIFICATION CO48XX (LATEST ISSUE) FOR PRODUCT SPECIFICATION AND WIRING/CRIMPING ASSEMBLY INSTRUCTIONS.
  - SLOTTED NUTS M80-2130000B OR HEXAGONAL NUTS M80-2430000B FOR PANEL MOUNTING TO BE ORDERED SEPARATELY.

**HARWIN**

www.harwin.com  
technical@harwin.com

THIS DRAWING AND ANY INFORMATION OR DESCRIPTIVE MATTER SET OUT HEREON ARE CONFIDENTIAL AND COPYRIGHT PROPERTY OF THE HARWIN GROUP AND MUST NOT BE DISCLOSED, LOANED, COPIED OR USED FOR MANUFACTURING, TENDERING OR FOR ANY OTHER PURPOSE WITHOUT THEIR WRITTEN PERMISSION.

TOLERANCES  
X. =  $\pm 1$ mm  
X.X =  $\pm 0.50$ mm  
X.XX =  $\pm 0.20$ mm  
X.XXX =  $\pm 0.01$ mm  
ANGLES =  $\pm 5^\circ$   
UNLESS STATED

MATERIAL:  
SEE ABOVE  
FINISH: SEE ABOVE  
S/AREA: mm<sup>2</sup>

TITLE: 1mm POWER CONNECTOR  
DIL CRIMP HOUSING WITH  
POTTING WALL MALE ASSEMBLY  
DRAWING NUMBER:  
**M300-324XX96M2**  
SHT 2 OF 2