

# Customer Information Sheet

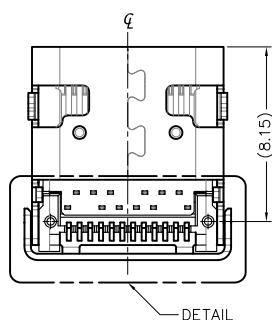
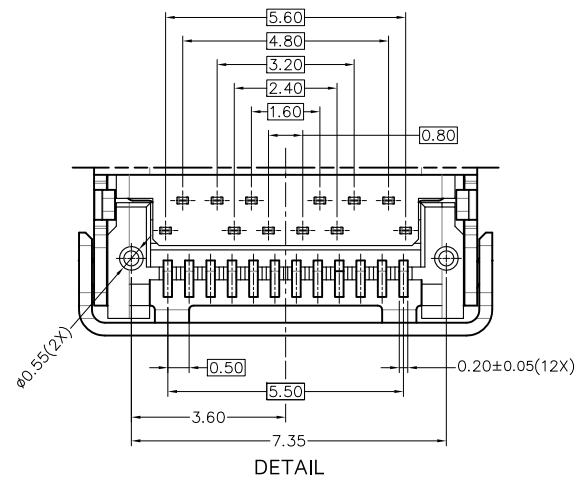
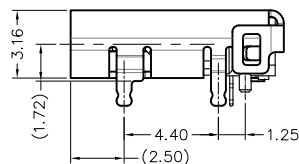
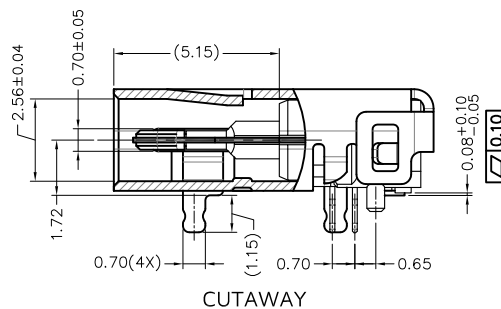
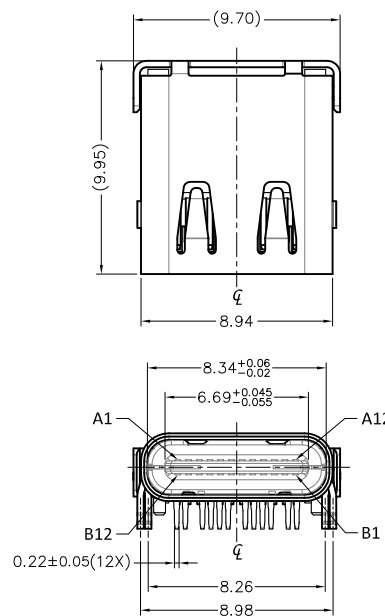
IF IN DOUBT - ASK



NOT TO SCALE

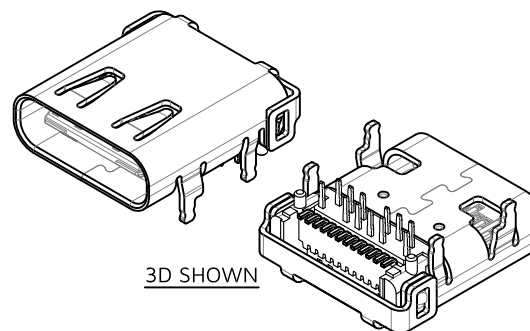
THIRD ANGLE PROJECTION

ALL DIMENSIONS IN mm



**PIN ASSIGNMENTS**

PIN	SIGNAL NAME	PIN	SIGNAL NAME
A1	GND	B12	GND
A2	TX1+	B11	RX1+
A3	TX1-	B10	RX1-
A4	VBUS	B9	VBUS
A5	CC1	B8	SBU2
A6	D+	B7	D-
A7	D-	B6	D+
A8	SBU1	B5	CC2
A9	VBUS	B4	VBUS
A10	RX2-	B3	TX2-
A11	RX2+	B2	TX2+
A12	GND	B1	GND



UNE	1	12JUN25	--
NAME	ISS.	DATE	CN/CO
APPROVED: WALKER / MEIZY			
CHECKED: THIRI			
DRAWN: UNE			

# HARWIN

www.harwin.com

**TOLERANCES**

X. = ±1mm  
 X.X = ±0.50mm  
 X.XX = ±0.20mm  
 X.XXX = ±0.01mm

ANGLES = ±5°  
 UNLESS STATED

THIS DRAWING AND ANY INFORMATION OR DESCRIPTIVE MATTER SET OUT HEREON ARE CONFIDENTIAL AND COPYRIGHT PROPERTY OF THE HARWIN GROUP AND MUST NOT BE DISCLOSED, LOANED, COPIED OR USED FOR MANUFACTURING, TENDERING OR FOR ANY OTHER PURPOSE WITHOUT THEIR WRITTEN PERMISSION.

**MATERIAL & FINISH:**

SEE ABOVE

**TITLE:**

USB 3.2 Type-C Receptacle  
 Top Mount Hybrid Solder

**DRAWING NUMBER:**

MMUSBC-3224AF-SMHS-XXX

SHT  
 1  
 OF  
 3

# Customer Information Sheet

IF IN DOUBT - ASK



NOT TO SCALE

THIRD ANGLE PROJECTION

ALL DIMENSIONS IN mm

## NOTES:

### 1. MATERIAL

- 1.1 HOUSING: LCP,HIGH-TEMP, UL94V-0 BLACK
- 1.2 TERMINAL: COPPER ALLOY
- 1.3 MID-PLATE: STAINLESS STEEL
- 1.4 SHELL: STAINLESS STEEL

### 2.PLATING

- 2.1 TERMINAL: Au ON CONTACT AREA (SEE ORDER CODE)  
Sn 100 $\mu$ " MIN. ON SOLDER AREA  
Ni 50 $\mu$ " MIN. UNDERPLATED OVERALL
- 2.2 MID-PLATE: CLEANING
- 2.3 SHELL: Ni 50 $\mu$ " MIN.

### 3.ELECTRICAL REQUIREMENTS

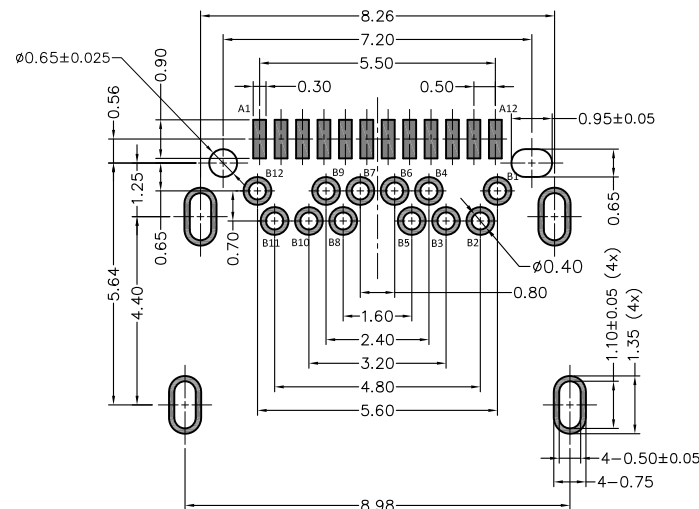
- 3.1 CURRENT RATING: 5A FOR TOTAL VBUS PIN  
1.25A FOR VCONN PIN  
0.25A FOR OTHERS PIN
- 3.2 CURRENT VOLTAGE: 30V
- 3.3 CONTACT RESISTANCE: 40m $\Omega$  MAX. (INITIAL)  
50m $\Omega$  MAX. (AFTER TEST)
- 3.4 INSULATION RESISTANCE: 100M $\Omega$  MIN.
- 3.5 WITHSTANDING VOLTAGE: 100VAC

### 4.MECHANICAL REQUIREMENTS

- 4.1 MATING FORCE: 5N~20N
- 4.2 UNMATING FORCE: 8N~20N (INITIAL)  
6N~20N (AFTER TEST)
- 4.3 DURABILITY: 10,000 CYCLES

### 5.OTHERS

- OPERATING TEMPERATURE: -40~+85°



RECOMMENDED PCB LAYOUT (TOP VIEW)  
THICKNESS 1.0mm DEFULT TOLERANCE  $\pm 0.05$ mm

ORDERING CODE  
MMUSBC-3224AF-SMHS-XXX

CONTACT PLATING

G01: Gold 1 $\mu$  " Min.  
G05: Gold 5 $\mu$  "  
G30: Gold 30 $\mu$  "

UNE	1	12JUN25	--
NAME	ISS.	DATE	CN/CO
APPROVED: WALKER / MEIZY			
CHECKED: THIRI			
DRAWN: UNE			



www.harwin.com

### TOLERANCES

X. =  $\pm 1$ mm  
X.X =  $\pm 0.50$ mm  
X.XX =  $\pm 0.20$ mm  
X.XXX =  $\pm 0.01$ mm

ANGLES =  $\pm 5^\circ$   
UNLESS STATED

THIS DRAWING AND ANY INFORMATION OR DESCRIPTIVE MATTER SET OUT HEREON ARE CONFIDENTIAL AND COPYRIGHT PROPERTY OF THE HARWIN GROUP AND MUST NOT BE DISCLOSED, LOANED, COPIED OR USED FOR MANUFACTURING, TENDERING OR FOR ANY OTHER PURPOSE WITHOUT THEIR WRITTEN PERMISSION.

### MATERIAL & FINISH:

SEE ABOVE

### TITLE:

USB 3.2 Type-C Receptacle  
Top Mount Hybrid Solder

### DRAWING NUMBER:

MMUSBC-3224AF-SMHS-XXX

SHT  
2  
OF  
3

# Customer Information Sheet

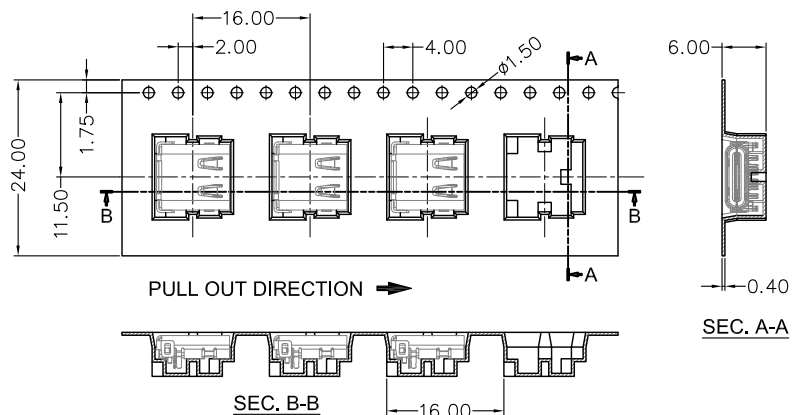
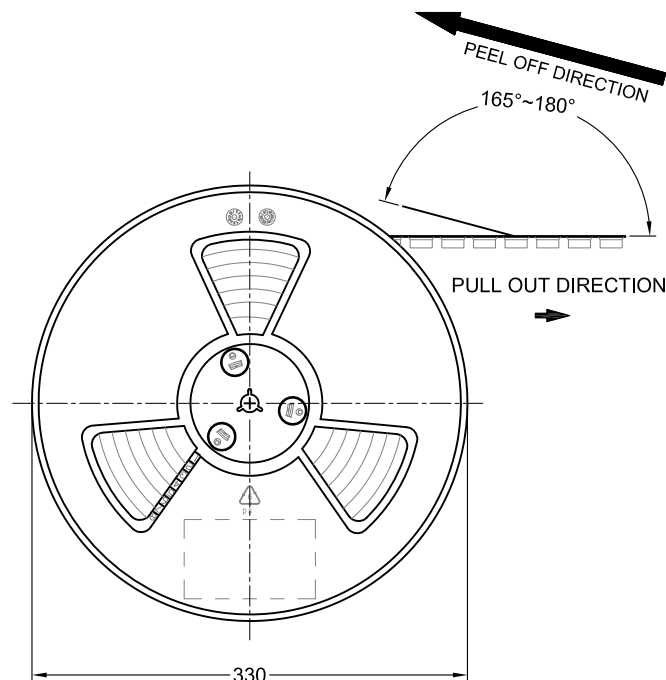
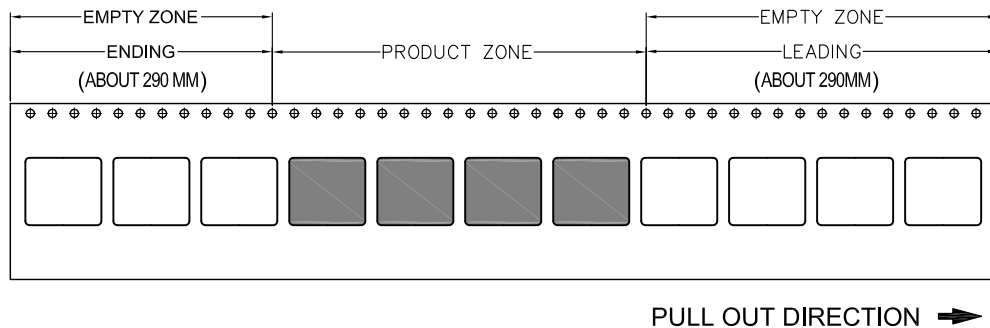
IF IN DOUBT - ASK



NOT TO SCALE

THIRD ANGLE PROJECTION

ALL DIMENSIONS IN mm



NOTE:

- 1. QUANTITY:  
600 PCS/REEL  
6,000 PCS/ CARTON

UNE	1	12JUN25	--
NAME	ISS.	DATE	CN/CO
APPROVED: WALKER / MEIZY			
CHECKED: THIRI			
DRAWN: UNE			

# HARWIN

www.harwin.com

**TOLERANCES**

X. = ±1mm  
 X.X = ±0.50mm  
 X.XX = ±0.20mm  
 X.XXX = ±0.01mm  
 ANGLES = ±5°  
 UNLESS STATED

THIS DRAWING AND ANY INFORMATION OR DESCRIPTIVE MATTER SET OUT HEREON ARE CONFIDENTIAL AND COPYRIGHT PROPERTY OF THE HARWIN GROUP AND MUST NOT BE DISCLOSED, LOANED, COPIED OR USED FOR MANUFACTURING, TENDERING OR FOR ANY OTHER PURPOSE WITHOUT THEIR WRITTEN PERMISSION.

**MATERIAL & FINISH:**

SEE ABOVE

**TITLE:**

USB 3.2 Type-C Receptacle  
 Top Mount Hybrid Solder

**DRAWING NUMBER:**

MMUSBC-3224AF-SMHS-XXX

SHT  
 3  
 OF  
 3